

VFM-056W VFM-056WP

5.6" High-Resolution Compact LCD Monitor

The VFM-056W/WP is available in two configurations and is ideal for HD-SLR production. A 6"x 4"x 1" lightweight magnesium-alloy case houses a 5.6" 1280x800 LED backlit LCD display with a full complement of preferred features.



VFM-056W Features Include:

- **DSLR Scale**

This function is designed for DSLR cameras that output a different resolution from the operation mode (preview, recording, & playback). DSLR Scale function scales the 640x390 image to 1280x800 (panel resolution) and displays full screen.



DSLR Scale OFF



DSLR Scale ON

- **Focus Assist**

Red color is displayed on sharp edges to enhance focus accuracy



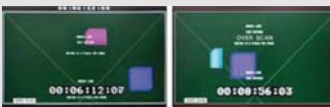
<Focs Assist OFF>



<Focs Assist ON>

- **Various Scan Modes**

Toggles between ZERO SCAN, UNDER SCAN, OVER SCAN and 1:1 PIXEL FOR PIXEL modes.



ZERO SCAN



OVER SCAN



UNDER SCAN



1:1 SCAN

- **Markers**

Choose framing markers for CENTER, SAFETY AREA, FIT and more.



MARKER : 4:3
SAFETY AREA : 90%
FIT MARKER : OFF

MARKER : 4:3
SAFETY AREA : 90%
FIT MARKER : ON

- **Optional Battery Brackets**



BB-056P (PANASONIC)
Battery : D28S/54S

BB-056S (SONY)
Battery : NP-F770/970

BB-056C (CANON)
Battery : BP930/945/970G

BB-056AA (AA)
Battery : 6-AA

- **Audio Level Meter w/speaker**

- **Time Code display**



VFM-056WP Features Include:

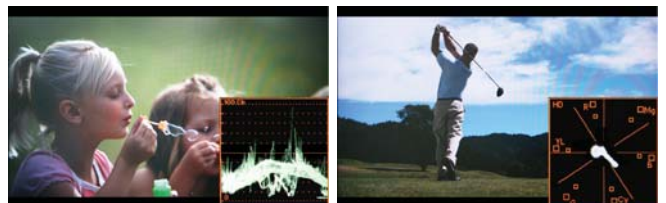
All base model features plus

- **HDMI direct loop out via HD-SDI (1280x720 59.94i/p only)**



- **Waveform/Vector Scope**

Displays Waveform luminance (Y level) and Vector Scope (B-Y, R-Y on XY axis) in Y/Cb/Cr, Wide and Line modes.



- **Range Error**

Selected values (Y MAX, Y MIN, C MAX, C MIN) are indicated in WAVEFORM/VECTOR* or Y/Cb/Cr modes.



- **Y Level Check**

Displays Y level as a solid color on screen to assist in exposure adjustments.

CAMERA FEED WITHOUT "Y" LEVEL CHECK



CAMERA FEED WITH "Y" LEVEL CHECK



5.6" High-Resolution Compact LCD Monitor

VFM-056W/VFM-056WP

TVlogic[®]
Always ON-AIR

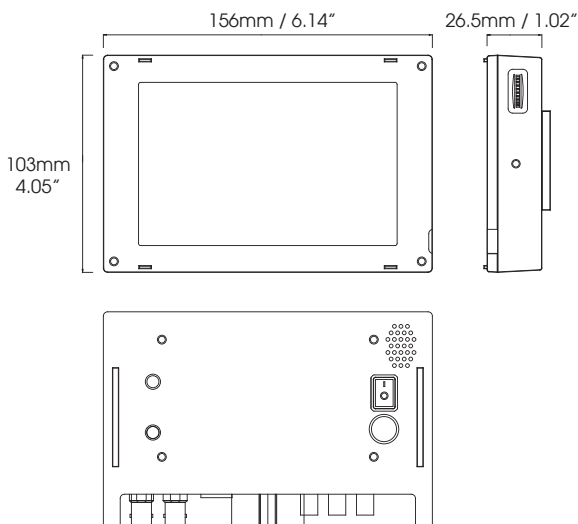
Easy-to-Configure Options

Available in two versions: VFM-056W (without HDMI loop-out, Waveform/Vector, Y Level, Range Error, and 3G input) and VFM-056WP (Incudes all Features).

Customize your VFM-056W/WP with your choice of Sony, Panasonic, Canon or AA battery mounting plates. Other options include an Acrylic Protective Screen, Folding Monitor Hood, Tripod Adapter and Carry-case.

Main body Dimensions

- Weight : 0.28 kg / 0.617 lb



Specifications * denotes VFM-056WP only specification

Input	
3 x RCA	Analog Input
1 x BNC	1 x 3G-SDI Channel Input
1 x HDMI	HDMI Input
Output	
1x BNC	SDI Channel (SD/HD-SDI Loop out, HDMI direct out*)
Input Signal	
Analog	Composite / S-Video / Component
3G-SDI*	2.970Gb/s
HD-SDI	1.485Gbps
SD-SDI	270Mbps
HDMI	480i/480p/720p/1080i/1080p & VESA/IBM Modes
Analog Input Spec	
Composite	1.0Vpp (With Sync)
S-Video	1.0Vpp (Y With Sync), 0.286Vpp(C)
Component	1.0Vpp (Y With Sync), 0.7Vpp (Pb,Pr)
SDI Input Signal Formats	
SMPTE-425M-A/B*	1080p (60/59.94/50/30/29.97/25/24/23.98/30sF/29.97sF/25sF/24sF/23.98sF) 1080i (60/59.94/50)
SMPTE-274M	1080i (60/59.94/50) 1080p (30/29.97/25/24/24sF/23.98/23.98sF)
SMPTE-296M	720p (60/59.94/50)
SMPTE-260M	1035i (60/59.94)
SMPTE-125M	480i (59.94)
ITU-R BT.656	576i (50)
LCD	
Size	5.6"
Resolution	1280x 800 (16:9)
Pixel Pitch	94.5 (H) x 94.5 (W) mm
Color	16.8 M (8 bit dithered)
Viewing Angle	H : 170 degrees / V : 170 degrees
Luminance of white	300 cd/m ² (Center)
Contrast	500:1
Display Area	120 (H) x 75 (V)mm
Audio In	Embedded Audio
Audio Out	Analog Stereo (Phone Jack). Internal Speaker Mixid (Mono)
Power	DC 6V~12V
Power Consumption (Approx.)	9Watts (typical)
Operating Temperature	0°C to 50°C
Storage Temperature	-20°C to 60°C (- 4°F to 140°F)
Accessory	AC Power Adapter, BNC (angle type), Camera Mount

Option



The specification above may be changed without notice.

Model Comparison

Features	VFM-056W	VFM-056WP
DSLR Scale	●	●
Focus Assist	●	●
Markers	●	●
Time Code Display	●	●
Optional Battery Bracket (Sony, Panasonic, Cannon, & AA)	●	●
Audio Level Meter	●	●
Waveform/Vector	×	●
Range Error	×	●
Y Level Check	×	●
3G Input	×	●
HDMI direct loop out via HD-SDI out [†]	×	●

[†]1280x720 59.94/p only

TVlogic[®]

TVLogicUSA 910 West Alameda Ave. Burbank CA 91506 Tel 1-818-567-4900 sales@tvlogicausa.com