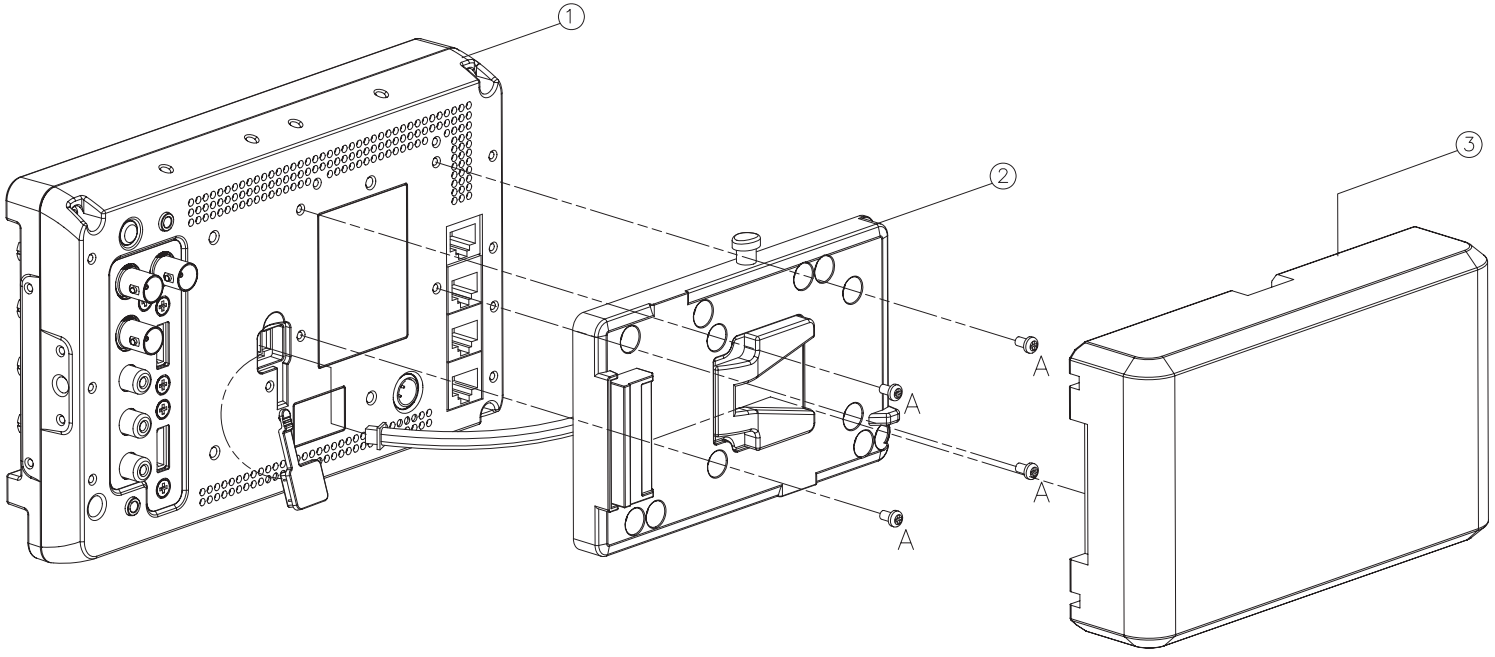


PARTS

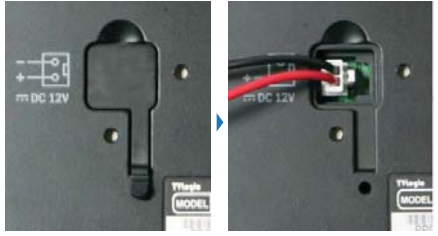
NO	ERP CODE	DESCRIPTION	Q'TY	REMARK
1		LVM-074W SET	1	
2	BAZ00-0047	P-V2	1	
3		BATTERY	1	
A	BAE00-0001	SCREW P#M3X6	4	



REV. NO	DATE	INITIAL	DESCRIPTION OF CHANGES			APPROVE
1	11-07-22	INITIAL				
±0.1	1/1	mm	1/1	TITLE	V MOUNT Ass'y	
	DRAFT	CHECK	APPROVE	MODEL NO.	LVM-074W	
				DRAWING NO.		
				PATH & NAME		

TV LOGIC INC.

V-Mount-074



AB(G)-Mount-074

