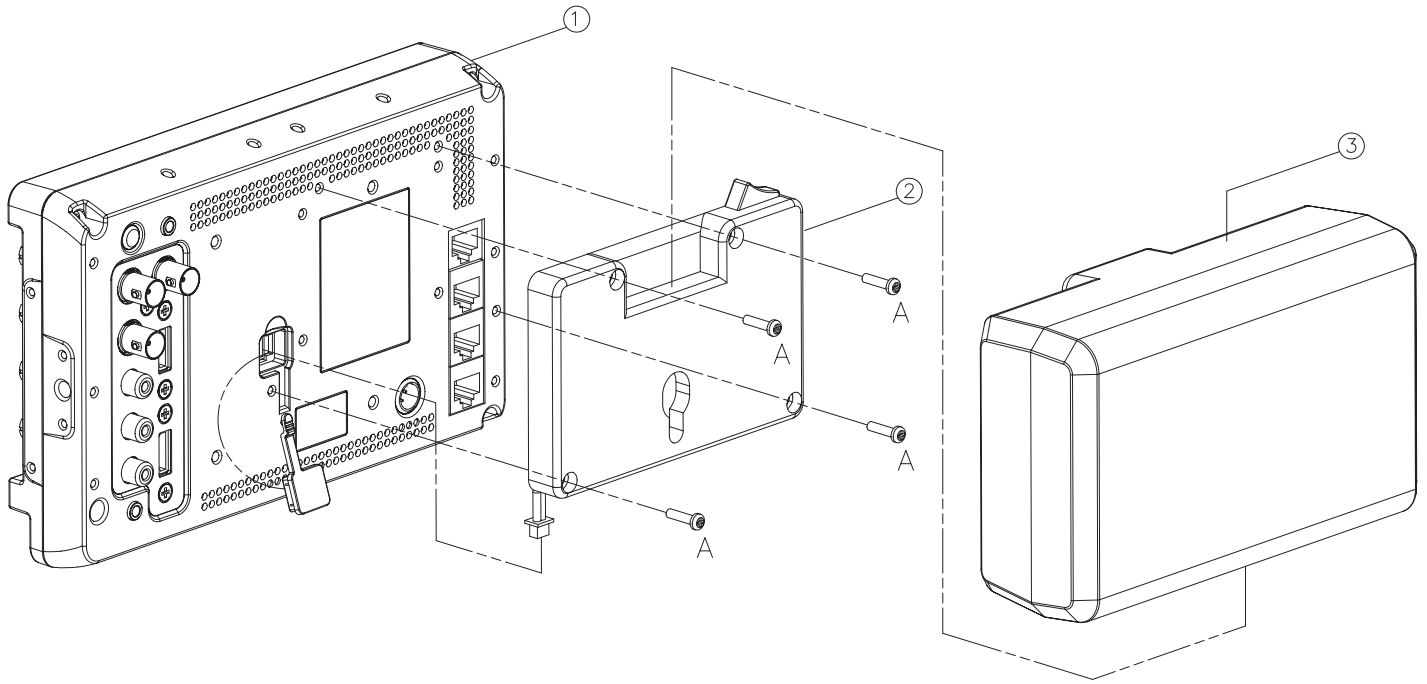


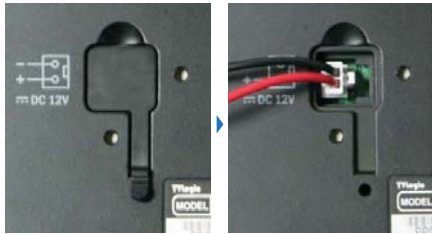
PARTS

NO	ERP CODE	DESCRIPTION	Q'TY	REMARK
1		LVM-074W SET	1	
2	BHA00-0018	ANTONBAUER BRACKET	1	
3		BATTERY	1	
A		SCREW PM3X12	4	



1	11-07-22	INITIAL	DESCRIPTION OF CHANGES		APPROVE
REV. NO	DATE				
DIMTOL	SCALE	UNIT	SHEET	TITLE	ANTONBAUER BATTERY Ass'y
	1/1	mm	1/1	MODEL NO.	LVM-074W
	DRAFT	CHECK	APPROVE	DRAWING NO.	
±0.1				PATH & NAME	
TV LOGIC INC.					

V-Mount-074



AB(G)-Mount-074

