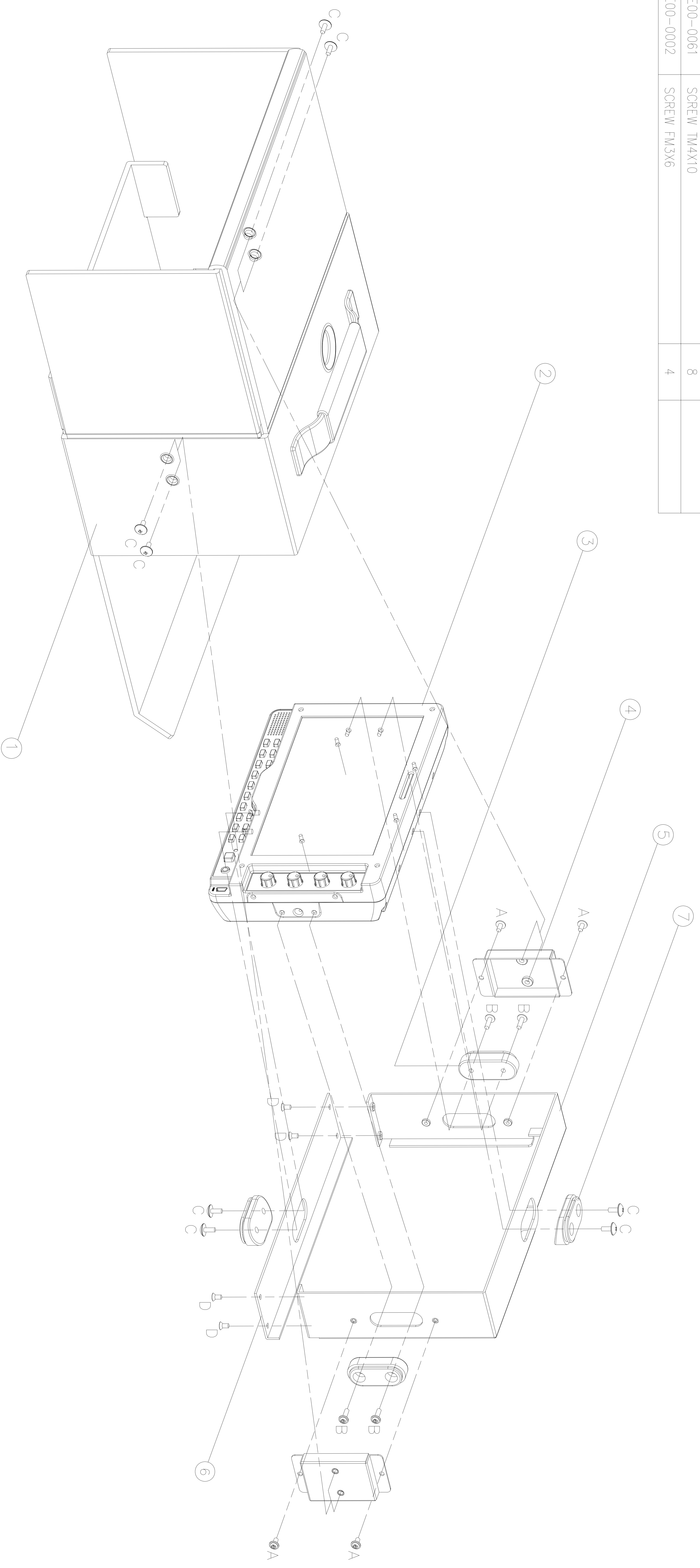


PARTS

| NO | ERP CODE | DESCRIPTION | Q'TY | REMARK |
|----|------------|--------------------------|------|--------|
| 1 | BAZ00-0044 | CBH | 1 | |
| 2 | | LWM-074W SET | 1 | |
| 3 | BAI00-0046 | RUBBER HOLDER SIDE | 2 | |
| 4 | BAC00-0428 | CBH HOLDER | 2 | |
| 5 | BAC00-0426 | CBH MAIN BRACKET | 1 | |
| 6 | BAC00-0427 | CBH SUB BRACKET | 1 | |
| 7 | BAI00-0045 | RUBBER HOLDER TOP/BOTTOM | 2 | |
| A | BAE00-0001 | SCREW PWM3X6 | 4 | |
| B | BAE00-0041 | SCREW PWM3X10 | 4 | |
| C | BAE00-0061 | SCREW TM4X10 | 8 | |
| D | BAE00-0002 | SCREW FM3X6 | 4 | |



| REV. NO | DATE | INITIAL | DESCRIPTION OF CHANGES | | APPROVE |
|----------------|----------|---------|------------------------|-------------|-----------|
| 1 | 11-07-22 | INITIAL | | | |
| DIMTOL | SCALE | UNIT | SHEET | TITLE | CBH ASS'Y |
| | 1/1 | mm | 1/1 | MODEL NO. | LWM-074W |
| | DRAFT | CHECK | APPROVE | DRAWING NO. | |
| | | | | PATH & NAME | |
| TV LOGIC, INC. | | | | | |

±0.1